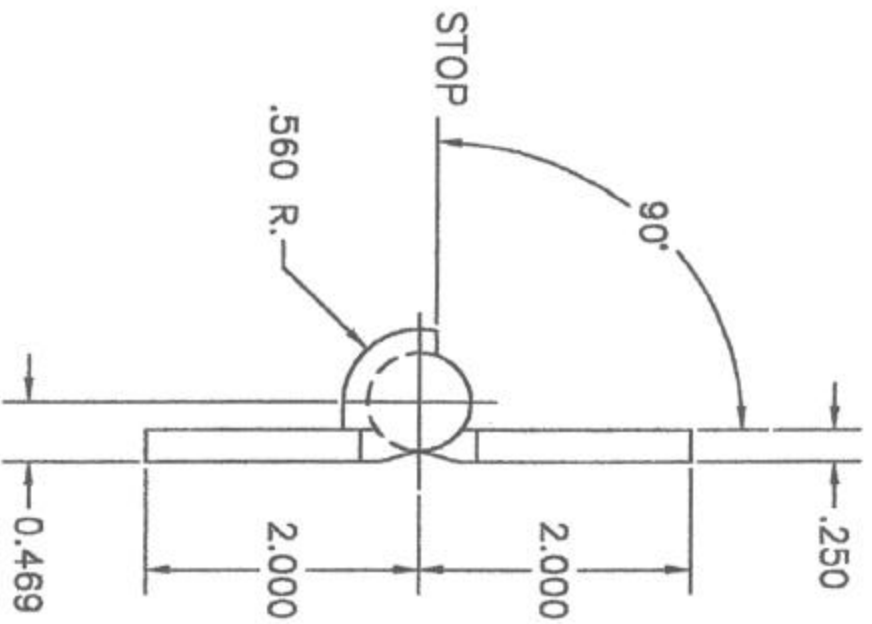


- NOTE:
1. DIMENSIONS ARE NOMINAL AND ARE IN INCHES.
  2. DOOR & FRAME MANUFACTURERS ARE RESPONSIBLE FOR PROVIDING ADEQUATE CONSTRUCTION AND REINFORCEMENT OF HARDWARE SHOWN.
  3. DIMENSIONS ARE SUBJECT TO CHANGE WITHOUT NOTICE.
- USE ONLY CURRENT, APPROVED TEMPLATING.



**WEIZEL SECURITY**

TEMPLATE, 45-125-FP342 (Prime Paint)  
 TEMPLATE, 45-125-FP343 (Stainless Steel)  
 FOOD PASS HING, BOLT-ON W/INTERGAL STOP  
 DATE: 7/30/03