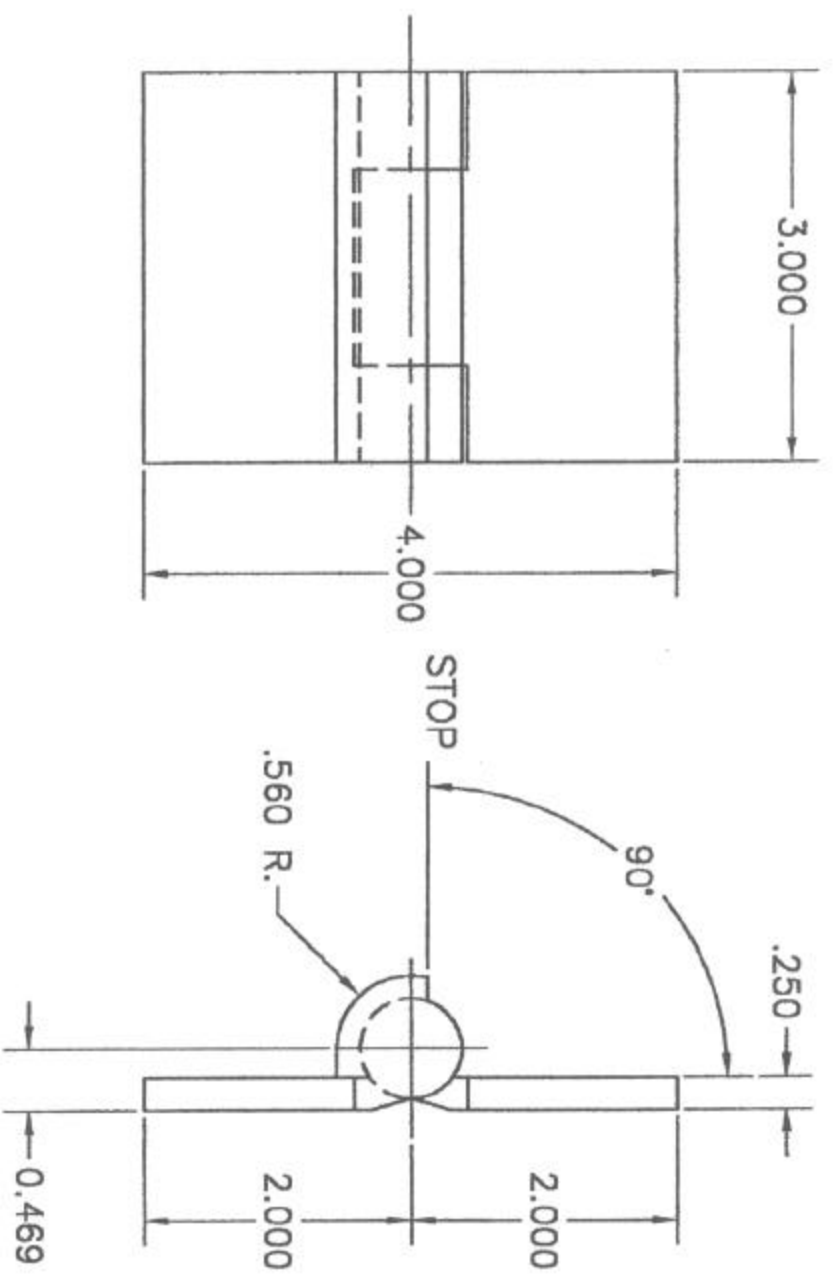


- NOTE:
1. DIMENSIONS ARE NOMINAL AND ARE IN INCHES.
 2. DOOR & FRAME MANUFACTURERS ARE RESPONSIBLE FOR PROVIDING ADEQUATE CONSTRUCTION AND REINFORCEMENT OF HARDWARE SHOWN.
 3. DIMENSIONS ARE SUBJECT TO CHANGE WITHOUT NOTICE.
- USE ONLY CURRENT, APPROVED TEMPLATING.



WEIZEL SECURITY
WELD-ON
TEMPLATE, 45-125-FP344 FOOD PASS HINGE
DATE: 7/30/03